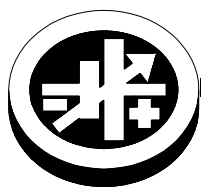


INSTRUCTION MANUAL



KEPCO An ISO 9001 Company.

HSF

**KEPCO SINGLE OUTPUT 50 WATT
HOT SWAP PLUG-IN POWER SUPPLIES** 

I — INTRODUCTION

The Kepco HSF 50 Watt Series hot swappable, high frequency switching, plug-in power supplies employ forward conversion and are designed to operate in a fault tolerant power system with either a-c or d-c input. A thermistor soft-start circuit limits start-up surge. A built-in forced current share circuit and OR-ing diodes allow configuration for hot-swap and parallel-redundant N+1 operation.

These power supplies are designed to be used with Kepco's Series RA 19-(X)B rack adapters. The RA 19-8B rack adapter accepts up to eight 50 Watt or 100 Watt units (see Figure 1); RA 19-7B accepts up to four 50 Watt or 100 Watt units and three 150 Watt units; RA 19-6B accepts up to six 150 Watt units. All input/output connections are through a 24 pin connector that plugs in to the rack adapter. All external connections are made through the rack adapter. Surface mount technology permits efficient component layout for minimum mounting space.

Five models may be selected for outputs of 5, 12, 15, 24, or 48V (see Table 1).

When the input is cut off, the output is maintained for 15 milliseconds minimum. If the power supply shuts down due to an output overvoltage condition, it is then necessary to wait 60 seconds minimum before turning the unit on again. EMI filtering is designed to meet FCC Class B rating and VDE 0871 Class B rating. This page contains specifications for each model of the HSF 50 Watt Series. Environmental specifications for each model are the same.

TABLE 1. OUTPUT RATINGS AND SPECIFICATIONS, HSF 50W SERIES

MODEL		HSF 5-10	HSF 12-4.2	HSF 15-3.4	HSF 24-2.1	HSF 48-1
OUTPUT VOLTS, d-c (NOMINAL)		5.0V	12.0V	15.0V	24.0V	48.0
ADJUSTMENT RANGE		4.5 - 5.5V	11.4 - 12.6V	13.5 - 16.5V	22.5 - 25.5V	45 - 51V
OUTPUT CURRENT (NOMINAL) ⁽¹⁾		10.0A	4.2A	3.4A	2.1A	1.0A
OUTPUT POWER (NOMINAL) ⁽²⁾		50.0W	50.4W	51.0W	50.4W	48W
RIPPLE AND NOISE (mV p-p) 0-40°C 10-100% LOAD	source (typ)	10	15	15	25	30
	source (max)	20	30	30	30	60
	switching (typ)	30	35	45	50	60
	switching (max)	60	70	90	100	150
	spike noise (d-c—50MHz)	120	190	220	310	350
OVERVOLTAGE SETTING 25°C, NOM. INPUT		6.5 - 7.5V	13.7 - 15.7V	17.0 - 19.0V	27.0 - 30.5V	53.5 - 60.0
OVERCURRENT SETTING 25°C, NOM. INPUT Rectangular type characteristic		10.5 - 12.0A	4.4 - 5.1A	3.6 - 4.1A	2.2 - 2.6A	1.1 - 1.3A

- (1) Derates same as Output Power.
(2) See power derating curve, Figure 4.

II — FEATURES

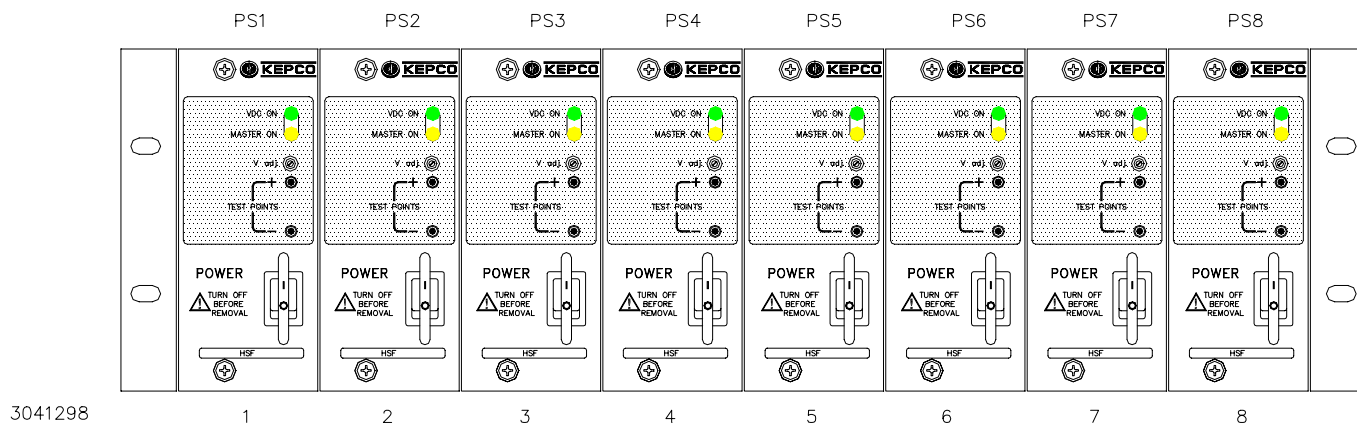
FRONT PANEL ACCESS. The front panel provides a power ON/OFF switch controlling input power and a "VDC ON" light which indicates when the unit is operating. **NOTE: The ON/OFF switch must be set to OFF before removing unit from rack adapter.** When the unit is used in parallel redundant configurations, the module with the highest voltage functions as the master (indicated by the front panel "MASTER ON" light). The other units are slaves, and track the output voltage of the master. The front panel Vadj trimmer provides adjustment of the output voltage within the limits specified in Table 1; test points connected to the +S and -S lines are available at the front panel for measuring the output.

FORCED CURRENT SHARE CIRCUIT. When units are configured for N+1 parallel redundant operation, it is desirable for current to be divided equally among the paralleled supplies. When the CSB (Current Share Bus) lines of paralleled HSF units are connected together, the load current is forced to divide equally between all paralleled units. If one unit fails, the remaining units will continue to supply the load, and the load current will be divided equally among the remaining operating units. The failed unit is automatically isolated from the circuit by a built-in isolation diode.

KEPCO, INC. ● 131-38 SANFORD AVENUE ● FLUSHING, NY. 11352 U.S.A. ● TEL (718) 461-7000 ● FAX (718) 767-1102
<http://www.kepcopower.com> ● email: hq@kepcopower.com

ALARM CIRCUIT. The HSF includes an isolated internal relay offering normally closed and normally open contacts referenced to an isolated common. These contacts may be used to configure “close on failure” or “open on failure” alarm circuits. (Refer to the Series RA 19-(X)B Manual for alarm configurations for multiple HSF power supplies.)

KEYING. Keying of the HSF is established at the factory. The output voltage determines which keyway is open. When the corresponding rack adapter key (pin) is installed by the user, only a power supply of the correct voltage can be inserted in the rack adapter slot.



3041298
FIGURE 1. HSF 50 WATT POWER SUPPLIES (8) INSTALLED IN RA 19-8B RACK ADAPTER

III — SPECIFICATIONS

The following specifications apply to HSF 50 Watt Series models (also refer to Table 1). Other models are also available; consult your Kepco representative for their specifications.

INPUT:

Voltage: 120V a-c/240V a-c nominal; Range 95-264V a-c; 125-370V d-c. (polarity insensitive)
 Frequency: Nominal 50-60 Hz; Range 47-440Hz (at 440Hz leakage current exceeds UL/VDE safety spec.limit).
 Current (nominal output at rated load): @120V a-c rms: 1.0A a-c typ., 1.2A a-c max;
 @240V a-c rms: 0.5A a-c typ., 0.7A a-c max.
 Initial Turn-on Surge: (one-half of first input cycle): @120V a-c rms, 45A max., @240V a-c rms, 90A max.
 Brownout Voltage: 85V a-c, 110V d-c
 Switching Frequency: 120KHz typical, nominal load

STABILIZATION:

Source Effect: Range 95-132V a-c or 190-264V a-c, 1.0% typ.; 2.0% max.
 Load Effect: Range 10%-100% load, 1.0% typ.; 2.0% max.
 Temperature Effect: Range 0° to 40°C, 1.0% typ.; 2.0% max.
 Combined Effect: 2.0% typ.; 4.0% max. (includes source, load, and temperature effects).
 Time Effect: 0.1% typ.; 0.5% max. (1/2 hr-8 hr at 25°C).

RECOVERY CHARACTERISTICS: A step load change from 50% to 100% produces less than $\pm 4\%$ output excursion. Recovery occurs to within $\pm 1\%$ of the original setting in < 2 ms (load change t_r or t_f equal to or greater than 50 μ sec).

START-UP TIME: 500 ms. maximum.

HOLDUP TIME: 20 ms. typ. (120V a-c), 15 ms. min (100V a-c).

DIELECTRIC STRENGTH:

Between input and output: 2KV a-c for one minute.
 Between input and output with Y-capacitor removed: 3.75KV a-c for one minute.
 Between input and case (ground): 2KV a-c for one minute.

INSULATION RESISTANCE: Between input and ground, output and ground, input and output;
 100 Megohms min. (500V d-c).

LEAKAGE CURRENT

(UL method, 120V a-c): 0.5 mA maximum.
 (VDE method, 240V a-c): 0.75 mA maximum.

SAFETY: UL60950 3rd Edition and CSA 22.2 No. 60950. Units designed to meet EN 60950 and are CE marked per the Low Voltage Directive (LVD), 73/23/EEC and 93/68/EEC. [The standards do not apply with DC input operation]

I/O CONNECTOR: The 24-pin I/O connector (Figure 2) is designed to mate with the corresponding connector in the Series RA 19-(X)B Rack Adapter.

■ **(+) SENSE, (-) SENSE:** These lines are provided to compensate for voltage drops in the load connecting wires. The Sense lines must be connected to their respective (+) and (-) output terminals, either at the load or at the rack adapter (see Rack Adapter Manual). The connection ensures the most accurate error tracking. Error compensation in the connecting wires is up to 0.25 Volts per lead for all models.

NOTE:

The Sense lines must be connected for the HSF Power supply to work properly!

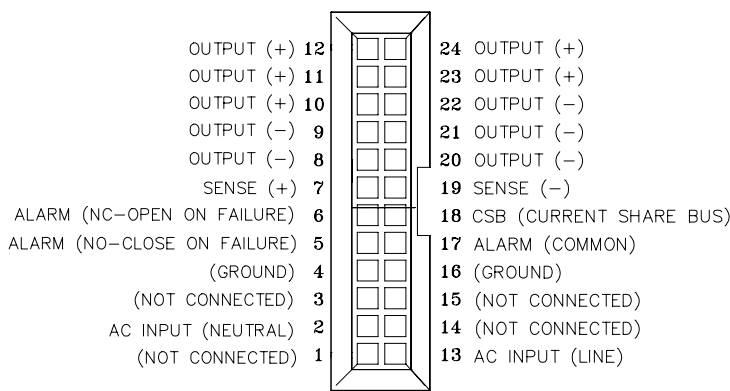
■ **OUTPUT (+), OUTPUT (-):** HSF power supply d-c output.

■ **CURRENT SHARE BUS (CSB):** Connecting the CSB lines of HSF power supplies operating in a parallel configuration causes output current to be shared equally. (See Rack Adapter Manual for additional information on parallel configurations.) For current sharing to work properly the outputs of all paralleled units must be within 250 mV (max) of each other. For master/slave operation to work properly each unit should be adjusted to 40 mV (optimum) less than the next paralleled unit (unit 1 is adjusted to V_{OUT} , unit 2 to $V_{OUT} - 40mV$, and unit 3 to $V_{OUT} - 80mV$, etc. If the master fails, the unit 2 will become the new master). The 40 mV difference can be reduced to a minimum of 25 mV as needed to parallel many units and still keep all units within 250 mV of each other. Adjust the outputs using Vadj trimmer on front panel.

- Optimum difference among output voltages of paralleled units: 40mV
- Maximum difference among output voltages of paralleled units: 250 mV
- Minimum difference among output voltages of paralleled units: 25 mV

■ **ALARM:** The Alarm NC (normally closed) - Open on Failure and Alarm NO (normally open) - Close on Failure lines are relay contacts referenced to Alarm Common. If the unit fails, the path between Alarm NC - Open on Failure and Alarm Common opens, the path between Alarm NO - Close on Fail and Alarm Common is a short circuit. Figure 3 illustrates typical Close on Fail and Open on Fail circuits to give a failure indication if any one of a number of power supplies fail.

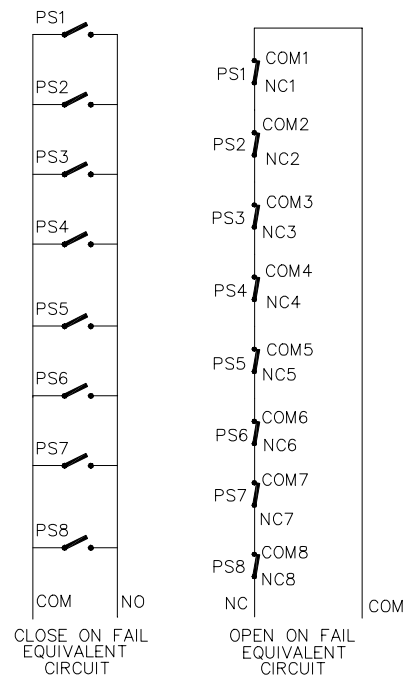
■ **INPUT POWER:** Line (either a-c or d-c source power) , Neutral and Ground (chassis)



REAR CONNECTOR

3041312

FIGURE 2. REAR CONNECTOR PIN ASSIGNMENTS



3041314

FIGURE 3. TYPICAL ALARM CIRCUIT DIAGRAMS

EMI: Designed to meet FCC Class B (100-120V a-c) and VDE 0871 Class B (220-240V a-c).

VIBRATION: (non-operating, one hour on each one of the three axes):
 5-10 Hz, 10 mm amplitude.
 10-55 Hz, 2g acceleration.

SHOCK: (non-operating, one-half sinusoidal pulse, three shocks to each axis):
 Acceleration: 20g
 Duration: 11ms \pm 5ms

OPERATING TEMPERATURE: See Figure 4.

STORAGE TEMPERATURE: -40°C to +75°C.

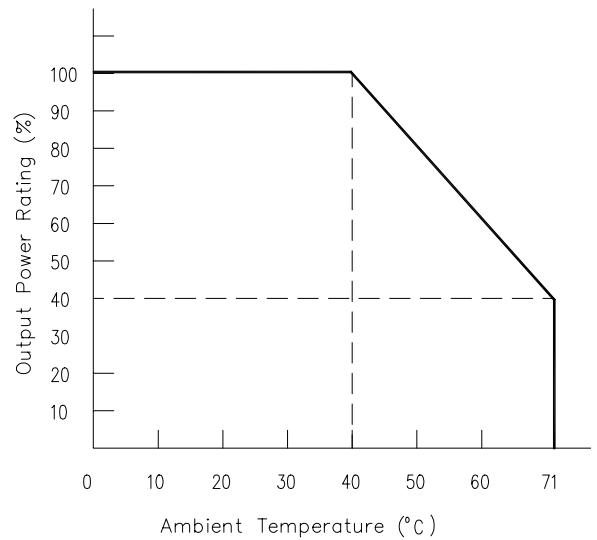
OPERATING AND STORAGE RELATIVE HUMIDITY: up to 95% (wet bulb temp. <35°C non-condensing).

FUSE: Quick acting 3.0A, 250V; (5.2 x 20mm), San-O P/N MT4 3A; Kepco P/N 541-0110.

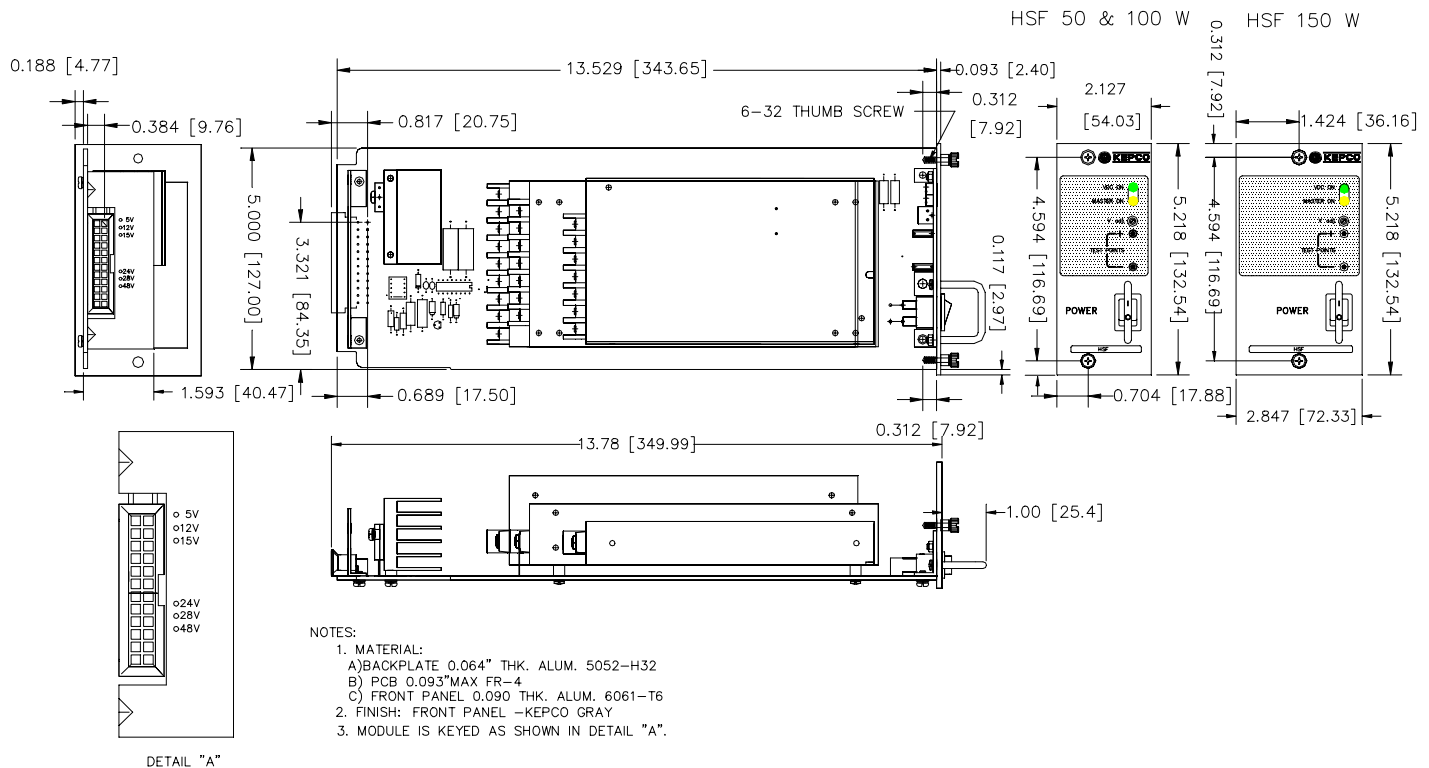
DIMENSIONS: See Figure 5.

WARRANTY: 5 years.

OUTPUT POWER RATINGS



3041313
FIGURE 4. % OUTPUT POWER RATING VS. AMBIENT TEMPERATURE



3010160

FIGURE 5. HSF POWER SUPPLY OUTLINE DRAWING